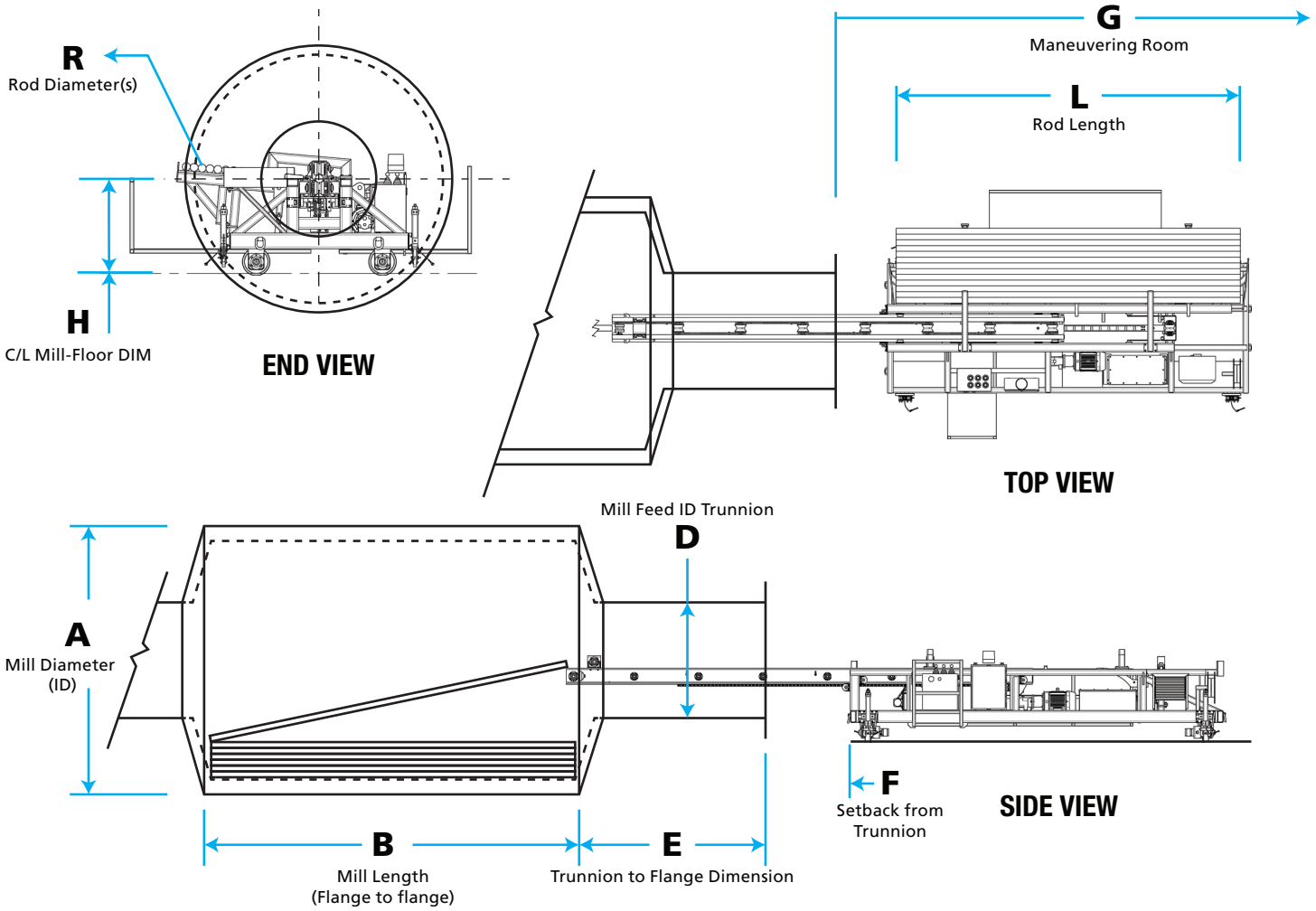




ROD MILL CHARGER FACILITY DIMENSIONAL WORKSHEET

Please supply as much information as possible, scan and send to romney@mclellan-ind.com or fax to 650-589-7398



PROJECT DETAILS

Project	Mill Location	Client/Owner
<input type="text"/>	<input type="text"/>	<input type="text"/>

Mill Diameter (ID)	Mill Length (flange to flange)	Mill Feed ID Trunnion				
A <input type="text"/>	B <input type="text"/>	D <input type="text"/>				
Trunnion to Flange Dimension	Setback From Trunnion	Maneuvering Room				C/L Mill-Floor DIM
E <input type="text"/>	F <input type="text"/>	G <input type="text"/>				H <input type="text"/>
Rod Diameter(s)	Rod Length	Facility Power				
R <input type="text"/>	L <input type="text"/>	P <input type="text"/>	<input type="text"/>	<input type="text"/>	<input type="text"/>	
		VAC	HZ	PH		